



EX-01581

Robot-Workstation X 8 1600x800 – XMS

- Mobile workstation for cobot applications
- Large item groove plate for high design flexibility
- Comfortable storage space
- Clean and enclosed appearance with doors on both sides

Dimensions: approx. 1600 x 800 mm

Operating height: approx. 920 mm

Weight: approx. 168 kg

Compatibility:

CRB 14050 (YuMi)

CRB 15000 (GoFa)

IRB/CRB 1100 (SWIFTI)

One solution with an universal use for all applications. The base for individual fixtures are a wide range of grooves. Whether Pick & Place, bolting, inspection, assembly or sorting, item offers the building kit for cobot applications.

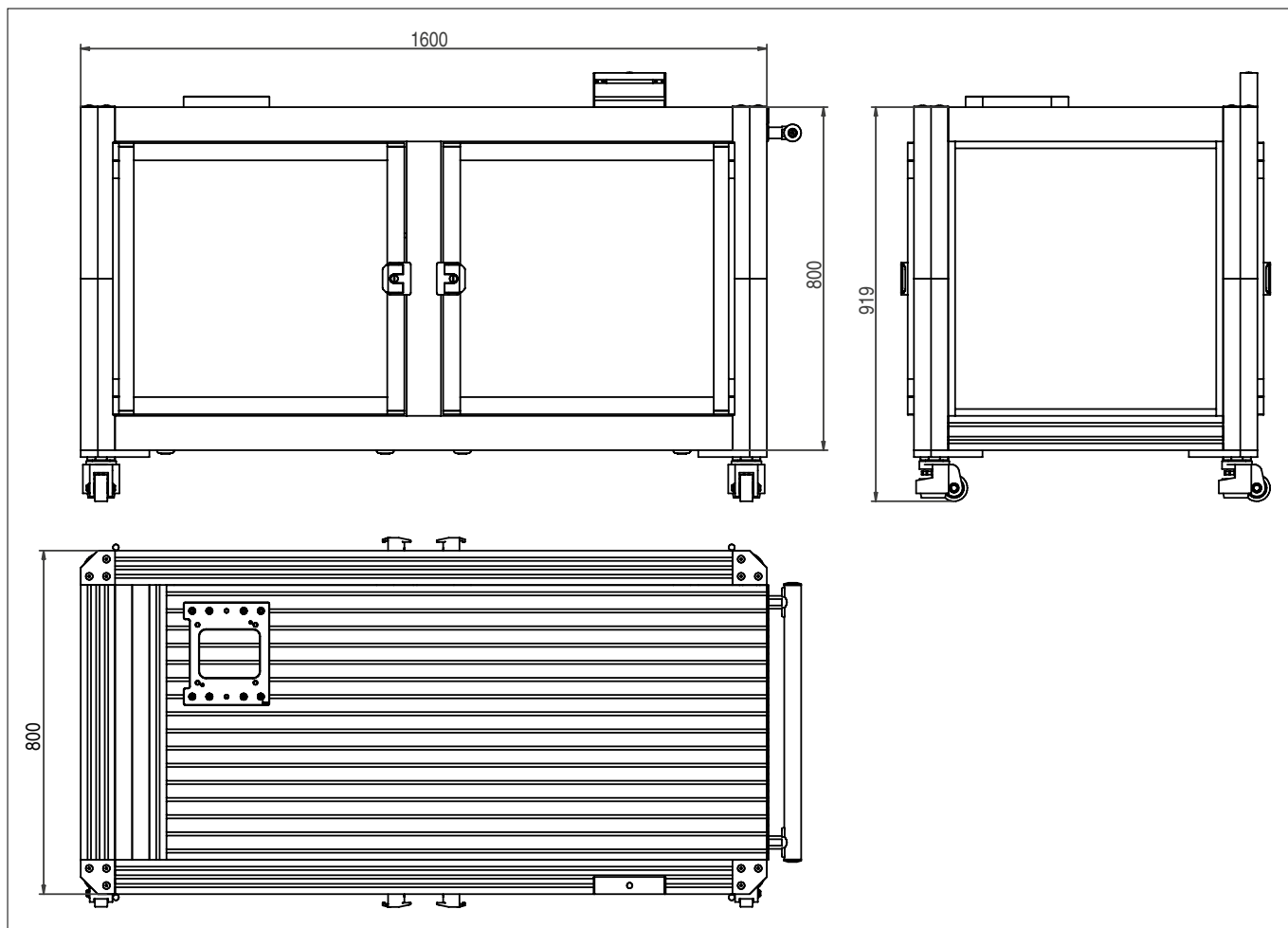
The inside of the workstation is prepared for each ABB OmniCore C line controller, which is easily accessible and protected through the doors on both sides. Furthermore, the inside provides additional space for equipment. The jacking castors ensure full mobility, leveling and a stable position of the whole application. A rigid handle completes the transportability of this workstation. The ABB FlexPendant can be mounted on each side and slid into the required position. The equipment installation can be also realized with an internal cable management through the special item XMS frame design.

Thanks to the item Building Kit System, each workstation can be customized to individual requirements.

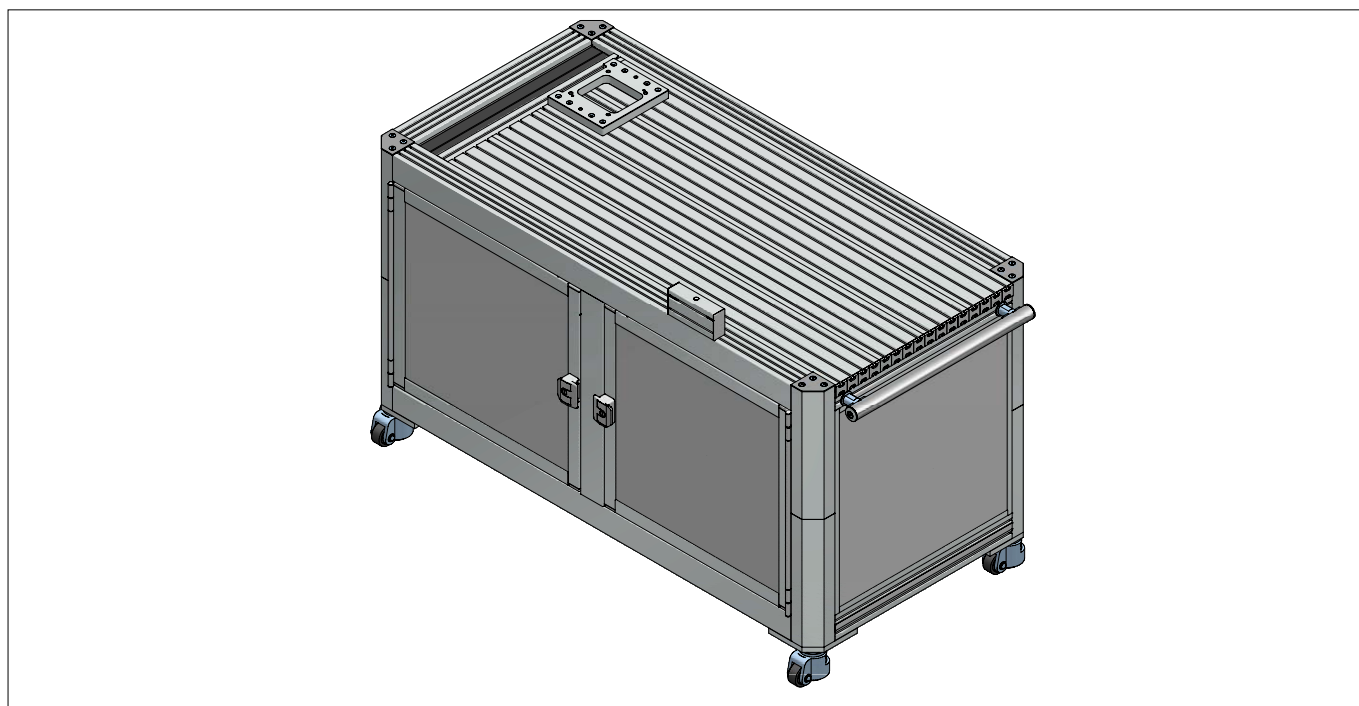
Not included:

Control elements, GoFa and equipment

Dimensions:



Delivery State:



Features and options (Images are only exemplary and may differ from the final solution):



The variety of grooves is a perfect base for custom structures in various applications



On the inside of the workstation are many options for equipment fixtures and holders



There is enough space for the OmniCore controller and additional shelves on the inside



The workstation can be easily moved with the jacking castors and the solid handle



An optional set of control buttons (EX-01584) can replace the existing cover in each corner



The optional safety scanner mount (EX-01583) can be installed to each corner

Thanks to removable cover profiles, the cables can be installed invisibly within the framework



item. Your ideas are worth it.®

item

item Industrietechnik GmbH
Friedenstraße 107-109
42699 Solingen
Germany

Tel.: +49 212 65 80 0
Fax: +49 212 65 80 310

info@item24.com
item24.com

About item

item Industrietechnik GmbH is a midsize company dedicated to the development and worldwide sale of high-quality components used to build fixtures, machinery and plants as well as system solutions for lean production operations and work bench design. item building kit systems are based on aluminium construction profiles and fastening techniques that are tailored to a whole range of application scenarios in terms of their function and design. Its wide portfolio of accessories enables users to create an almost unlimited range of applications –from simple frames and machine enclosures right through to complex handling systems and custom machines.